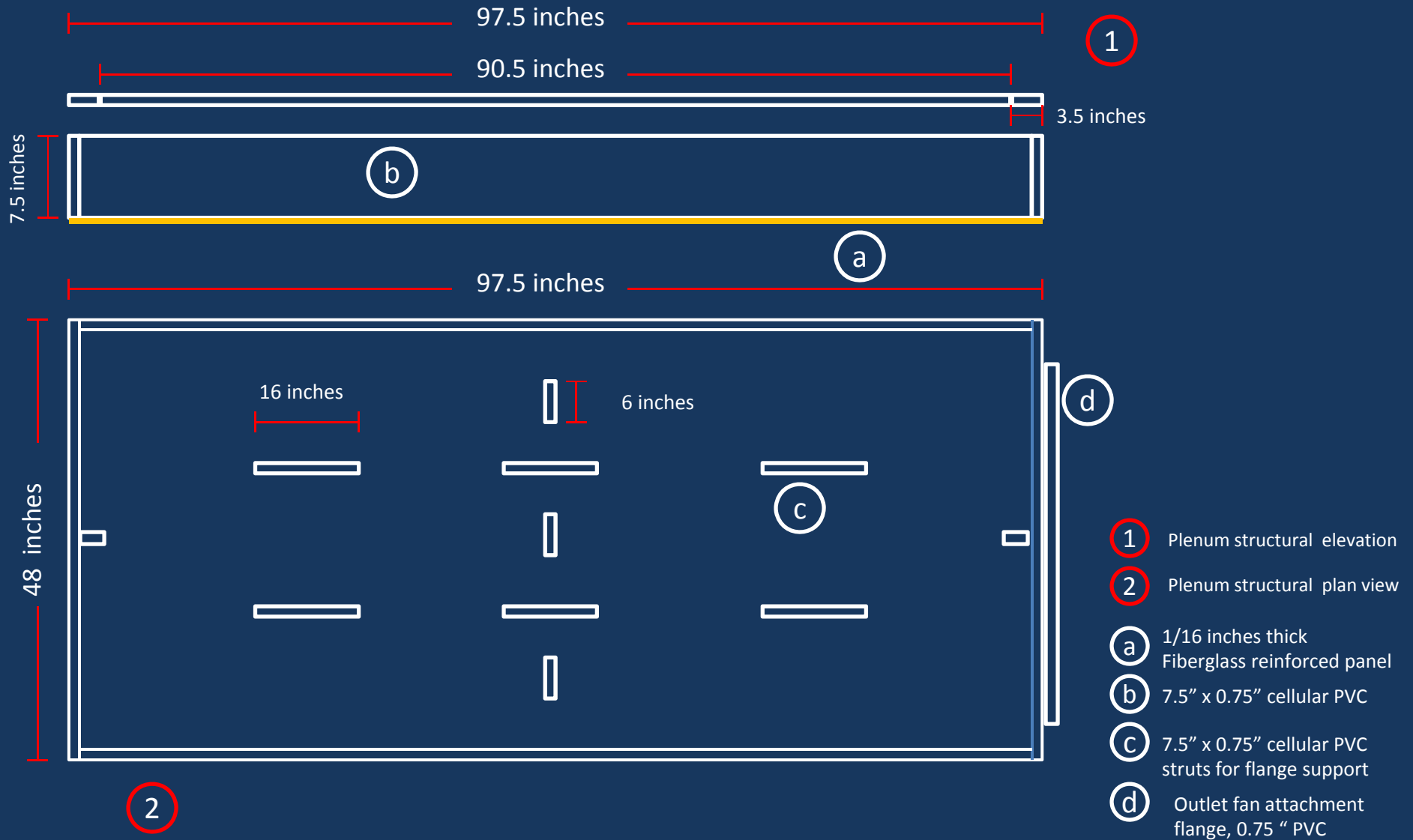


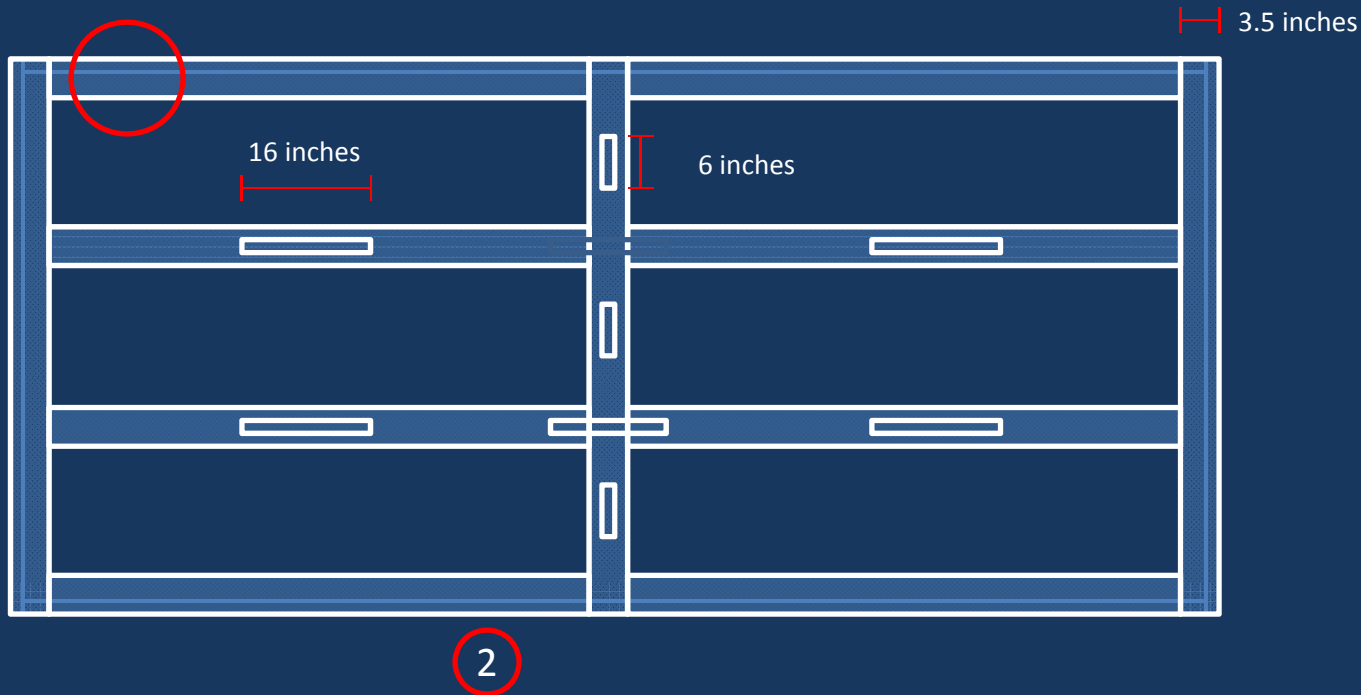
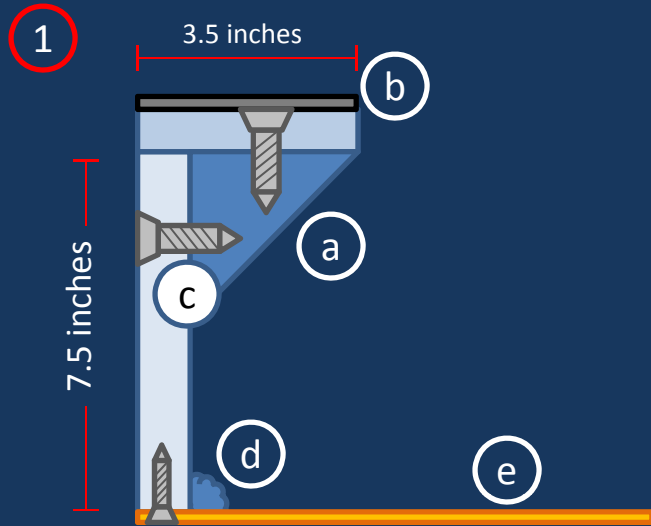
GENERAL PLENUM DESIGN OVERVIEW

GVH Chamber Oast	General Plenum Design
6/15/10	Page 1
	Copyright Gorst Valley Hops 2010



PLENUM CROSS SECTION

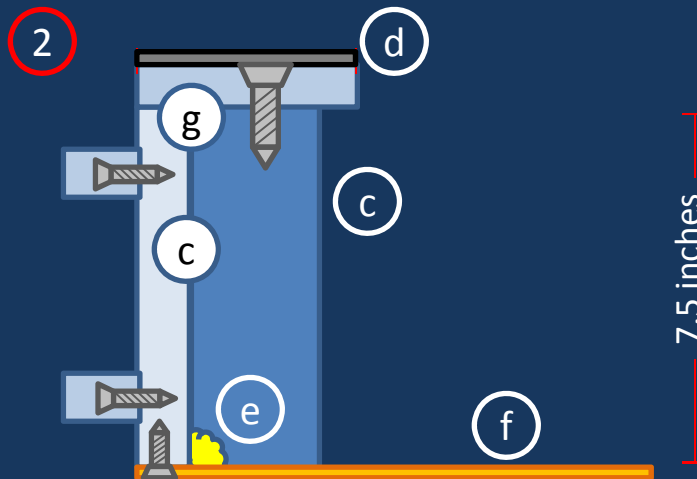
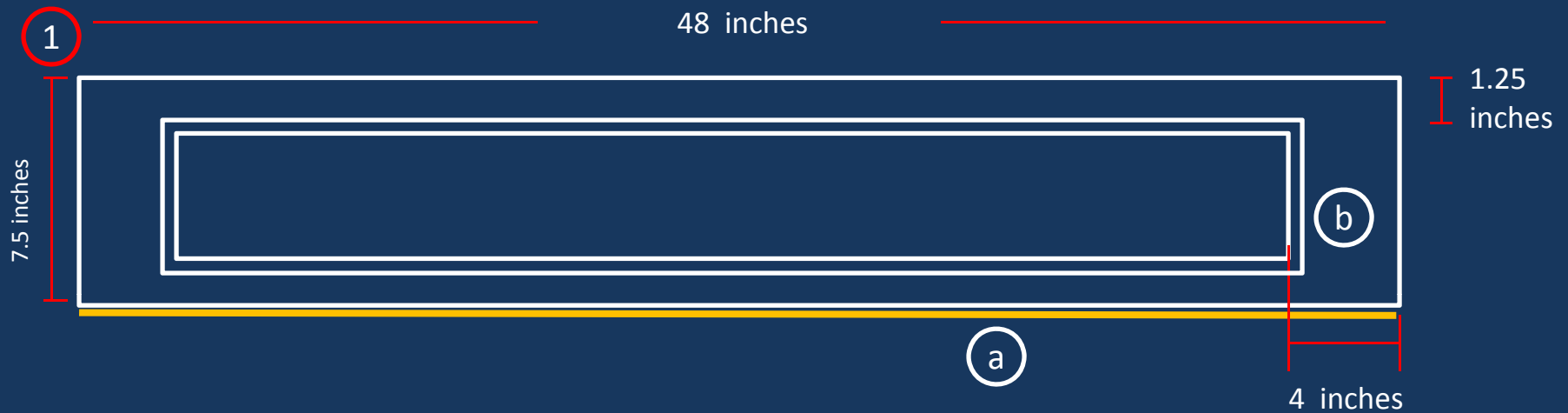
GVH Chamber Oast	Plenum Cross Section
Plenum Flange Plan View	Page2
6/15/10	Copyright Gorst Valley Hops 2010



- ① Plenum structural cross-section
- ② Plenum sealing flange
- Ⓐ Triangular Support Blocks every 12 inches
- Ⓑ Adhesive backed closed cell foam or rubber
- Ⓒ Stainless Steel Screws
- Ⓓ Silicone Sealant
- Ⓔ 1/16 inches thick Fiberglass reinforced panel

BOTTOM PLENUM DESIGN OVERVIEW

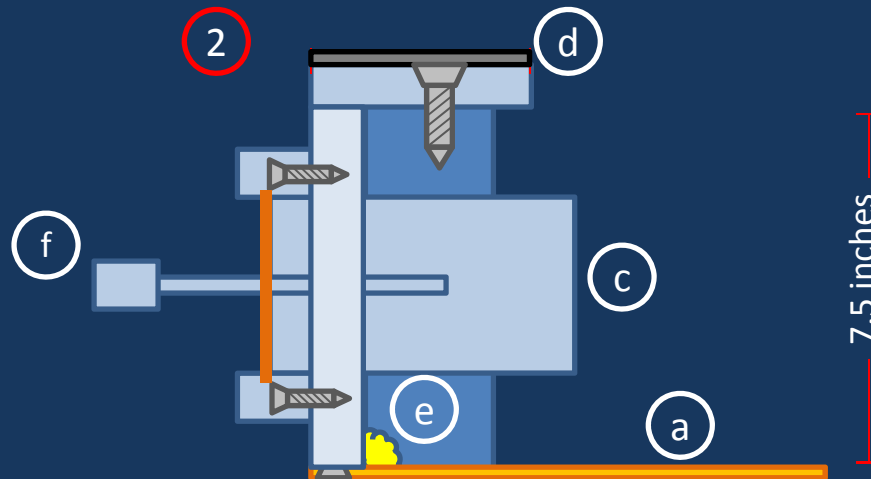
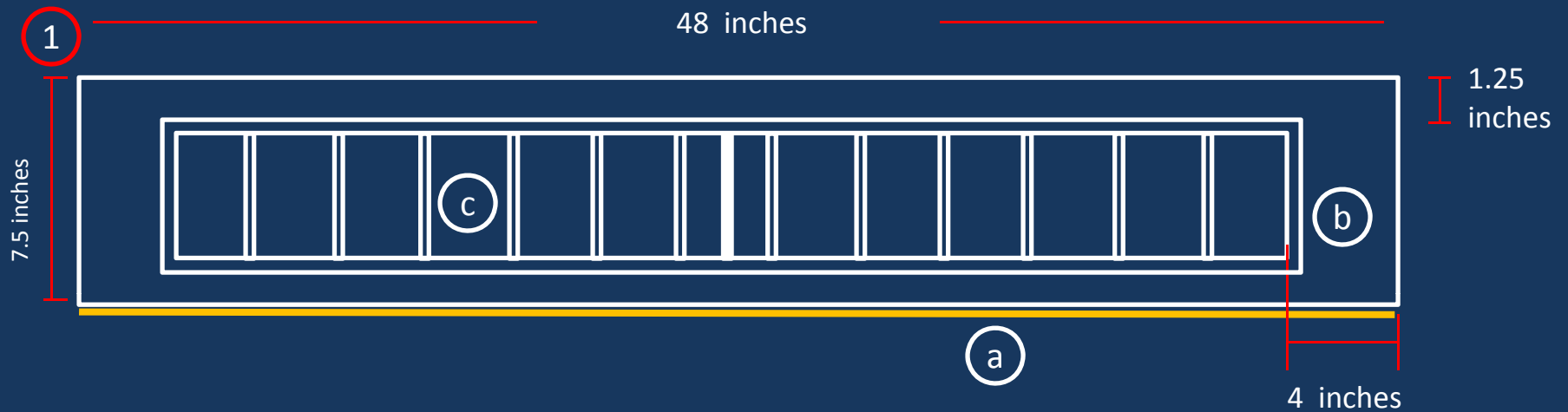
GVH Chamber Oast	Bottom Plenum Design
6/15/10	Page 3
	Copyright Gorst Valley Hops 2010



- 1 Plenum Outlet Elevation
- 2 Outlet fan attachment flange, 0.75 " PVC
- a f 1/16 inches thick Fiberglass reinforced panel
- b Fan Attachment Flange
- c Rectangular Support Blocks mid-opening
- d Adhesive backed closed cell foam or rubber
- e Silicone Sealant
- g Stainless Steel Screws

TOP PLENUM DESIGN OVERVIEW

GVH Chamber Oast	Bottom Plenum Design
6/15/10	Page 4
	Copyright Gorst Valley Hops 2010



- 1** Plenum Outlet Elevation
- 2** Outlet fan attachment flange, 0.75 " PVC
- a** 1/16 inches thick Fiberglass reinforced panel
- b** Fan Attachment Flange
- c** 0.25" corrugated poly turning vanes
- d** Adhesive backed closed cell foam or rubber
- e** Silicone Sealant
- f** Vane Adjusting Spline